

# 210 series

## Mounting Boards for Input/Output Modules

- LED status indicators, plug-in fuses & pull-up resistors
- Card edge logic connections (2108, 21016 & 21024)
- Screw terminal logic connections (2104A, 2104B, 2104C, 21016A, 21016B & 21016C)
- Screw terminals for field wiring
- UL recognized/CSA certified for 125V max. with 5A fuses; 250V max. with #22 solid copper jumper wire instead of fuses

File E61482

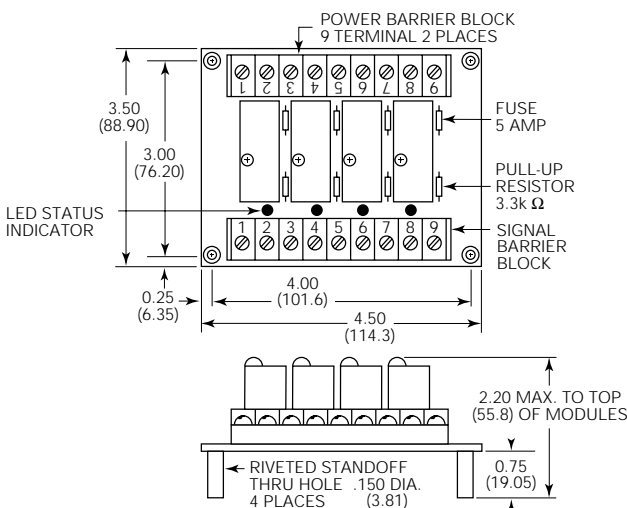
File LR15734-93

Users should thoroughly review the technical data before selecting a product part number. It is recommended that users also seek out the pertinent approvals files of the agencies/laboratories and review them to ensure the product meets the requirements for a given application.

### Ordering Information – Boldface items listed below are more likely to be maintained in stock by authorized distributors.

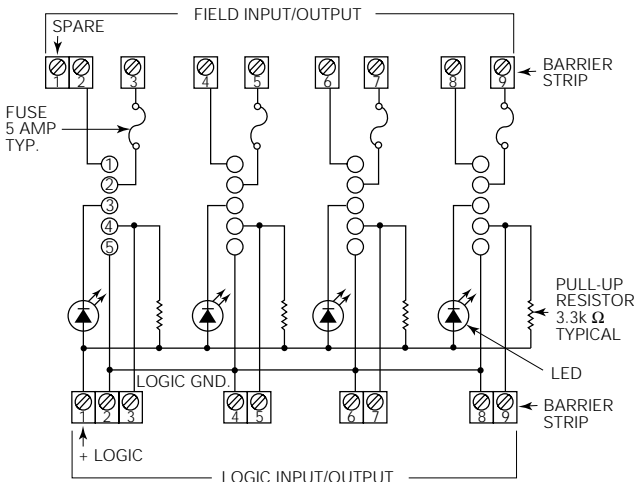
Part Number	2104A	2104B	2104C	2108	21016	21016A	21016B	21016C	21024
Number of I/O Channels	4	4	4	8	16	16	16	16	24
Number of Module Positions	4	4	4	8	16	16	16	16	24
Field Terminals: Screw Terminals	X	X	X	X	X	X	X	X	X
Logic Terminals: Screw Terminals	X	X	X			X	X	X	
Logic Terminals: 26-pin card edge connector				X					
Logic Terminals: 50-pin card edge connector				X	X				X
Designed for neg. true logic; one logic voltage	X			X	X	X			X
Designed for neg. or pos. true logic; mult. logic voltages		X					X		
Designed for neg. true logic; mult. logic voltages			X					X	

### 2104A, 2104B & 2104C Outline Dimensions



### 2104A Schematic

Designed to operate with neg. true logic (active low) systems & one logic voltage.



### Suggested Mating Connectors and Fuses

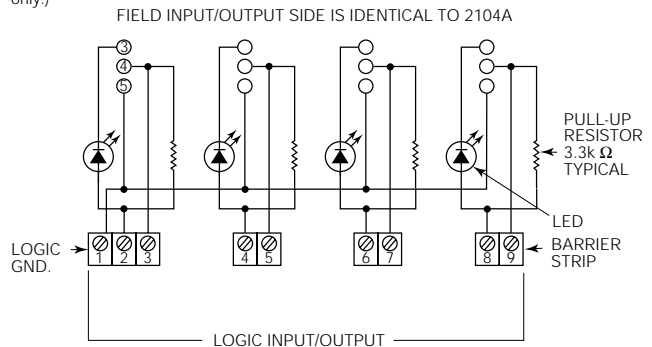
26-pin card edge connector	3M 3462-0001*
50-pin card edge connector	3M 3415-0001*
5 amp fuse	Littelfuse 251-005*
1 amp fuse**	Littelfuse 251-001*

\* Or equivalent. Customer assumes ultimate responsibility for applicability.

\*\* Used on 21024 only.

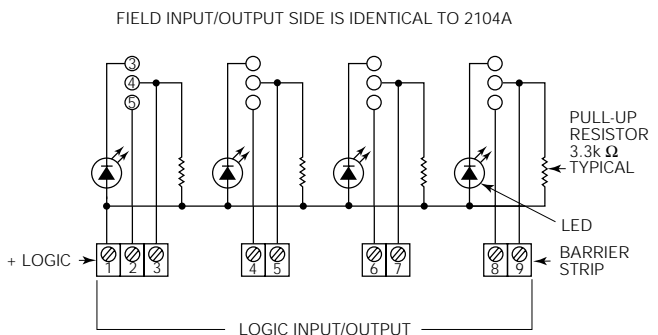
### 2104B Schematic

Designed to operate with either neg. or pos. true logic (active low or high) systems & different logic voltages. (output modules only - input modules must be used in negative logic systems only.)

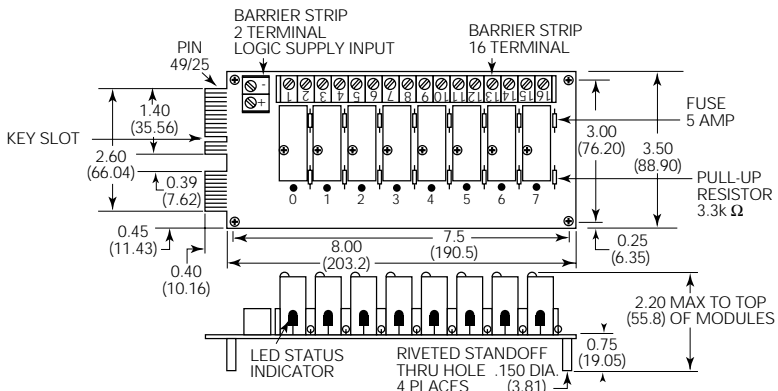


### 2104C Schematic

Designed to operate with neg. true logic (active low) systems & different logic voltages.

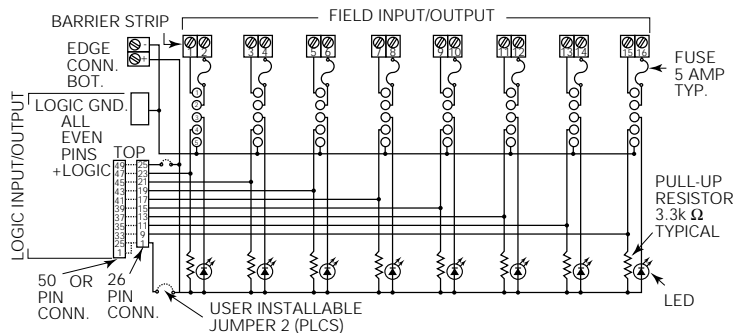


2108 Outline Dimensions

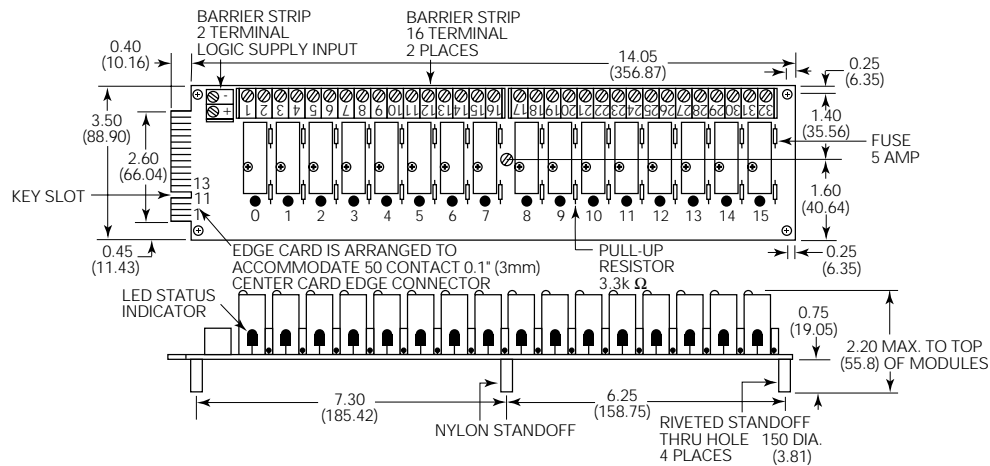


2108 Schematic

Designed to operate with neg. true logic (active low) systems & one logic voltage.

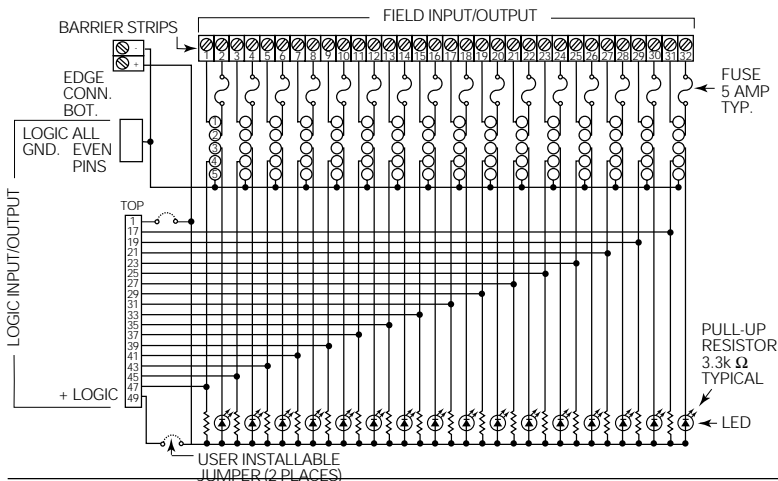


21016 Outline Dimensions



21016 Schematic

Designed to operate with neg. true logic (active low) systems & one logic voltage.



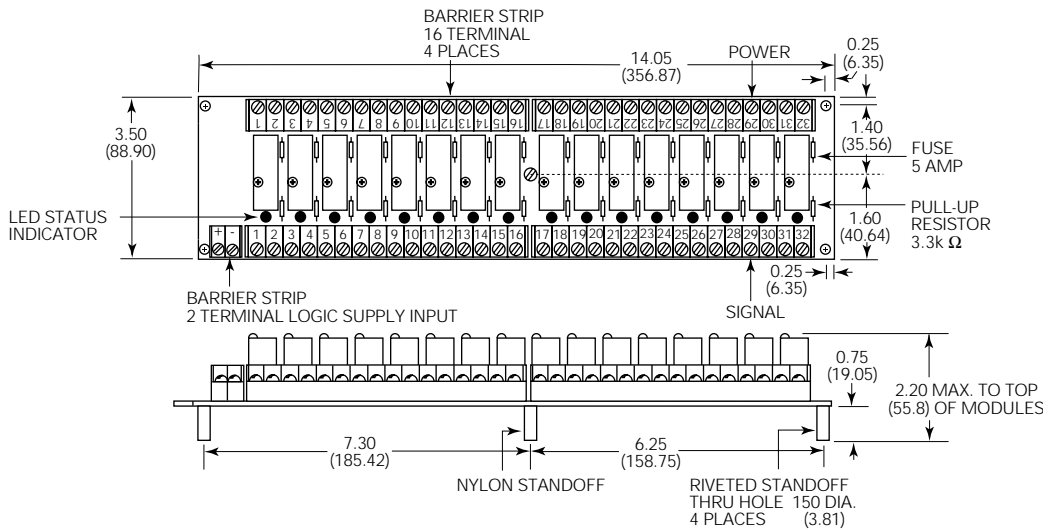
Dimensions are shown for reference purposes only.

Dimensions are in inches over (millimeters) unless otherwise specified.

Specifications and availability subject to change.

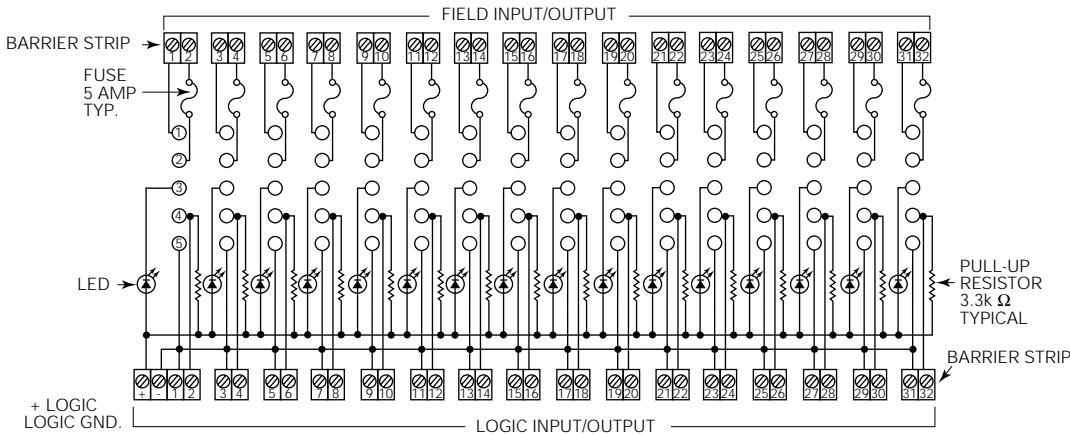
www.tycoelectronics.com  
Technical support:  
Refer to inside back cover.

2IO16A, 2IO16B & 2IO16C Outline Dimensions



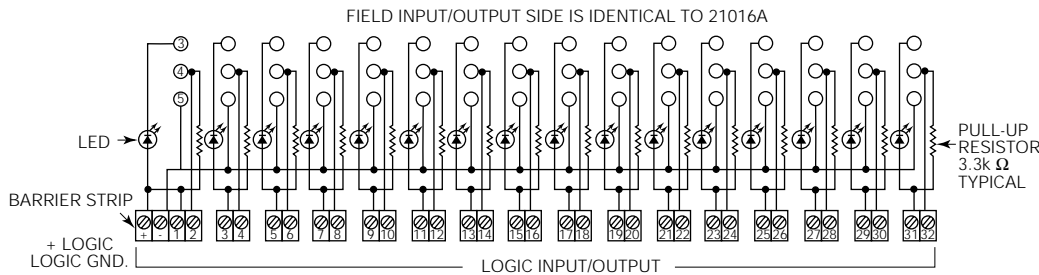
2IO16A Schematic

Designed to operate with neg. true logic (active low) systems & one logic voltage.



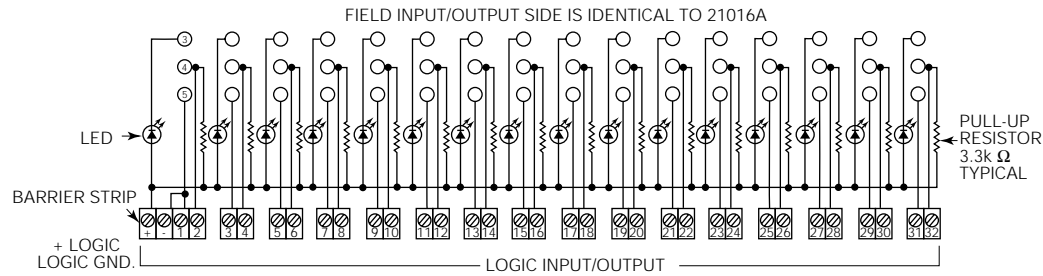
2IO16B Schematic

Designed to operate with either neg. or pos. true logic (active low or high) systems & different logic voltages.  
(Note above applies to output modules only. Input modules must use in negative logic systems only.)

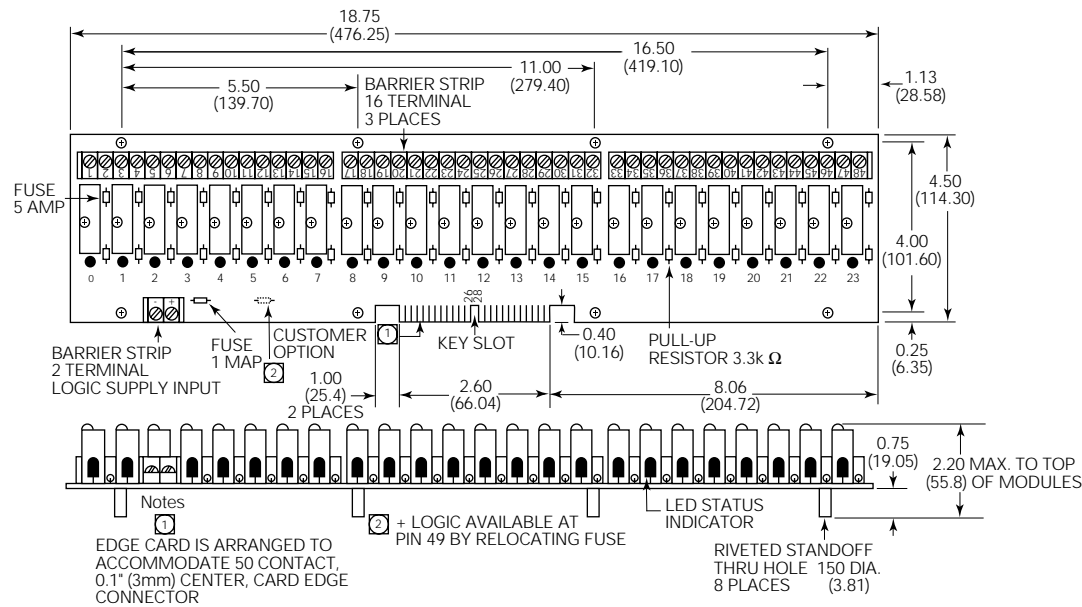


**21O16C Schematic**

Designed to operate with neg. true logic (active low) systems & different logic voltages.



**21O24 Outline Dimensions**



**21O24 Schematic**

Designed to operate with neg. true logic (active low) systems & one logic voltage.

